

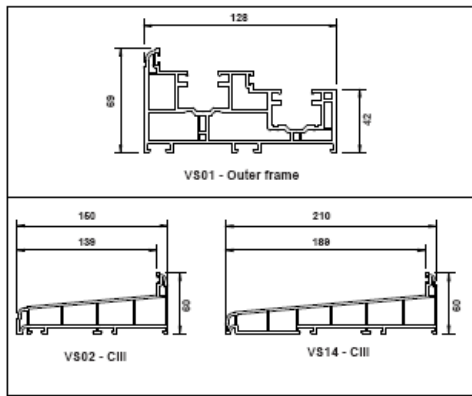
# DUNGANNON WINDOW COMPANY LIMITED

## VERTICAL SLIDING SASH WINDOW SPECIALISTS

### PART IDENTIFICATION CHART

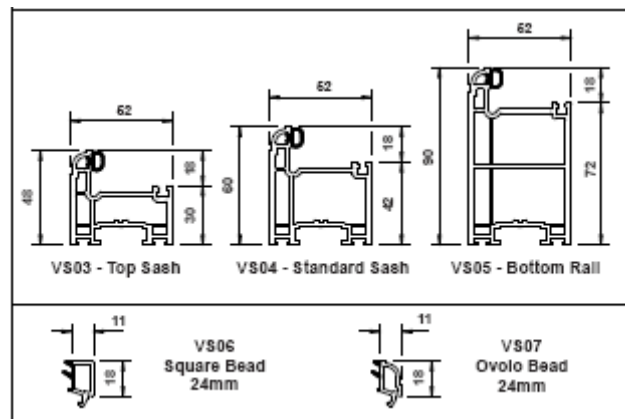
#### PRODUCT GUIDE

Main & Bead Profiles.



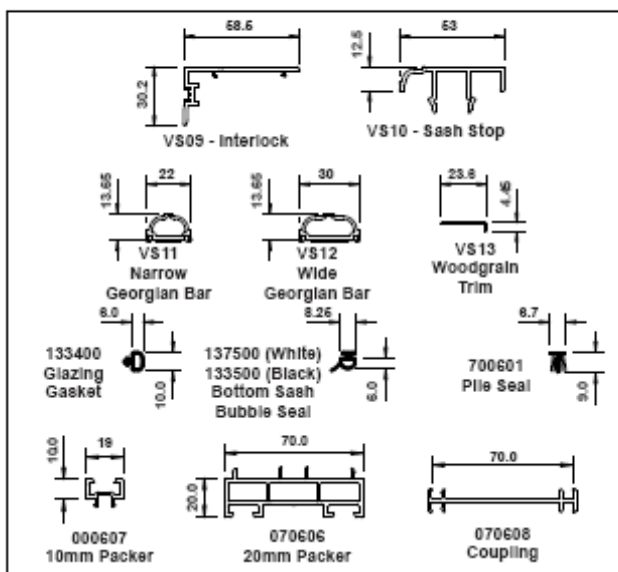
#### PRODUCT GUIDE

Main & Bead Profiles.



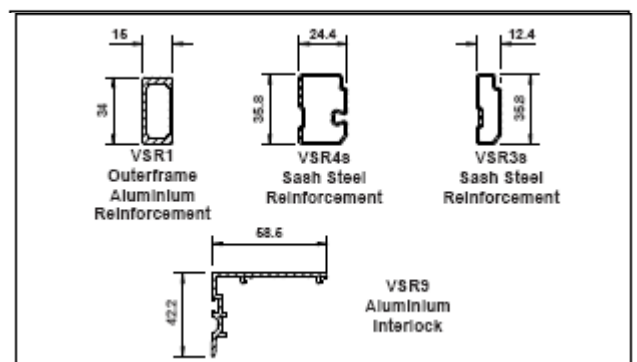
#### PRODUCT GUIDE

Ancillary & Reinforcement Profiles.



#### PRODUCT GUIDE

Ancillary & Reinforcement Profiles.



# DUNGANNON WINDOW COMPANY LIMITED

## VERTICAL SLIDING SASH WINDOW SPECIALISTS

### PART IDENTIFICATION CHART

#### PRODUCT GUIDE

##### Decorative Hardware.



Rail Lift Hook.



Tilt Latch Button.



Top Sash Button.



Lock.



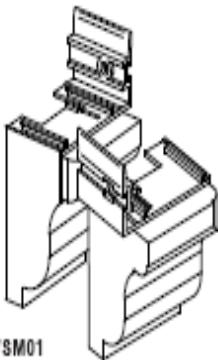
VSM05 Sash Block



Standard Keep.

#### PRODUCT GUIDE

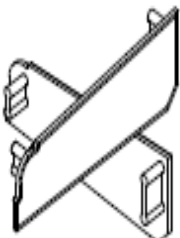
##### Ancillary Mouldings.



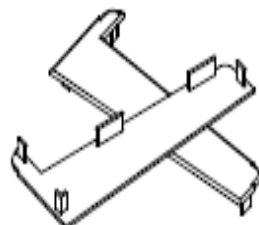
VSM01  
Decorative Horn



VSM02  
Sash Stop  
End Cap



VSM14  
210mm C/II End Cap



VSM04  
150mm C/II End Cap

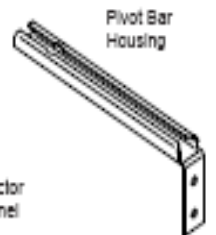
##### Functional Hardware.



Balance



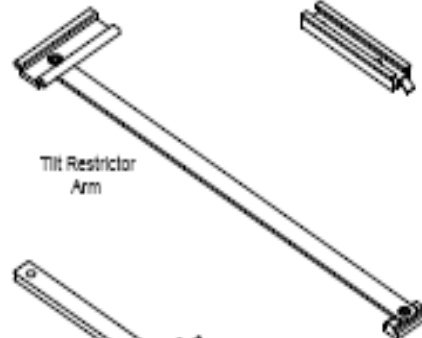
Horn Pivot Bar



Pivot Bar Housing



Restrictor Channel



Tilt Restrictor Arm



Sash Tilt Latch



Standard Pivot Bar



Balance Shoe